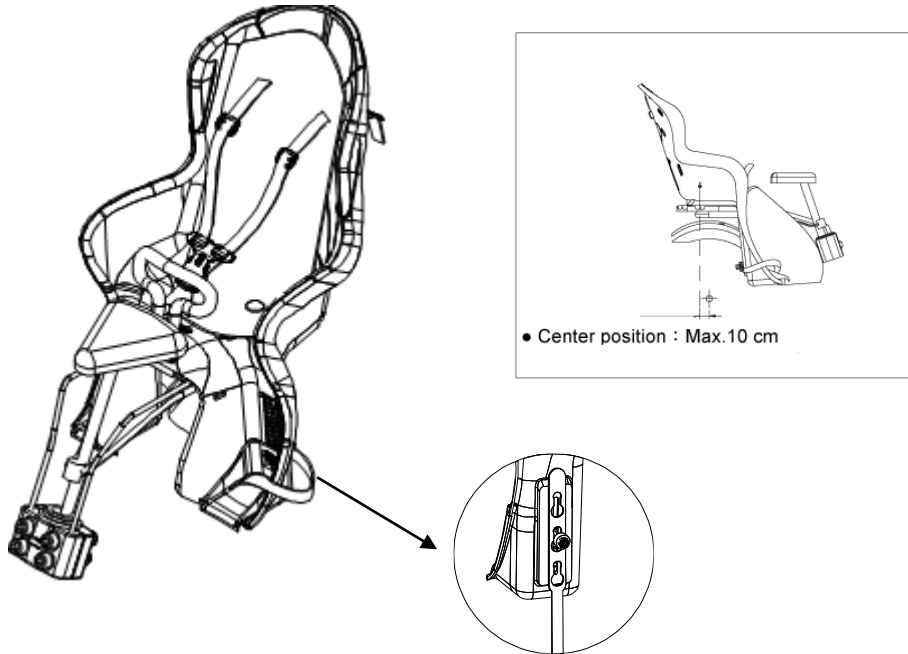


## MAINTENANCE AND CARE:

1. It is required to regularly check the seat to make sure it is always in the condition of safety level.
2. For safety reason, it is required to check the hole of the plastic fixing clamp regularly. If the hole of the fixing clamp should become loose, it is forbidden to use this back seat before replacing a new fixing clamp.
3. For cleaning the seat, it is suggested to use clean water only.

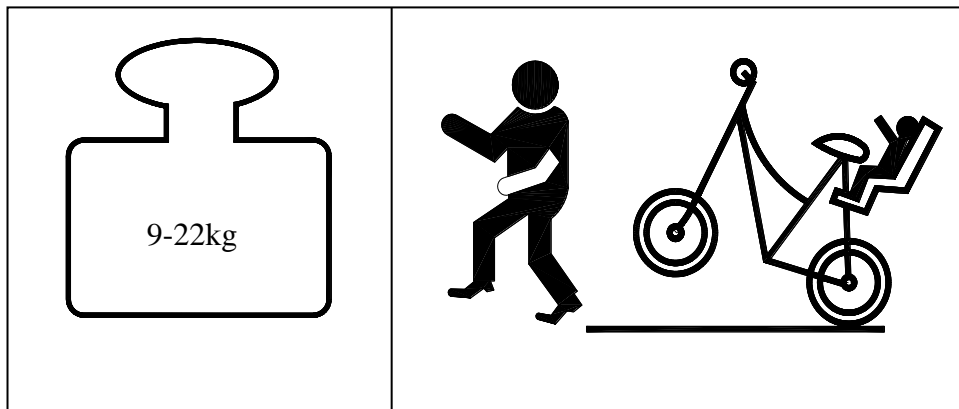


## Safety instructions

1. The back seat is for children up to 7 years with max. weight 22 kg for fixing on carriers of 26" to 28" bicycle by dovetail support. The carrier capacity must be at least 25kg.
2. The cyclist and the child are required to wear qualified helmet.
3. Be sure the bicycle is stable when loading and unloading your child.
4. As the riding features can considerably change with the child in the back seat, it is advised to ride slowly and not to ride on rugged road. It is also advised not to ride on rainy days.
5. Be sure to have one hand holding the back seat when the cyclist is walking with the bicycle.

## Warnings

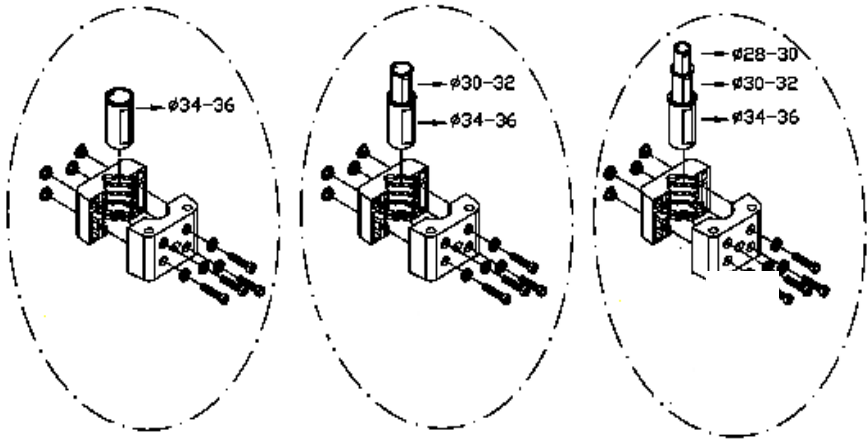
1. For safety reasons, it is prohibited to do any modification to the seat.
2. The cyclist must be at least 16 years old.
3. Never transport two children at the same time.
4. Never leave the child alone on the seat when the bicycle is parked.
5. Never transport a child of the age more than 7 years old with max. weight of 22kg.
6. Never exceed the max. torque for tightening the bolts.
7. The perpendicular line of the arrow on the side must not be more than 10cm from the rear wheel axle.
8. If your bicycle is equipped with a spring type saddle, please use some cover to cover the springs and prevent your child putting his fingers into the springs.



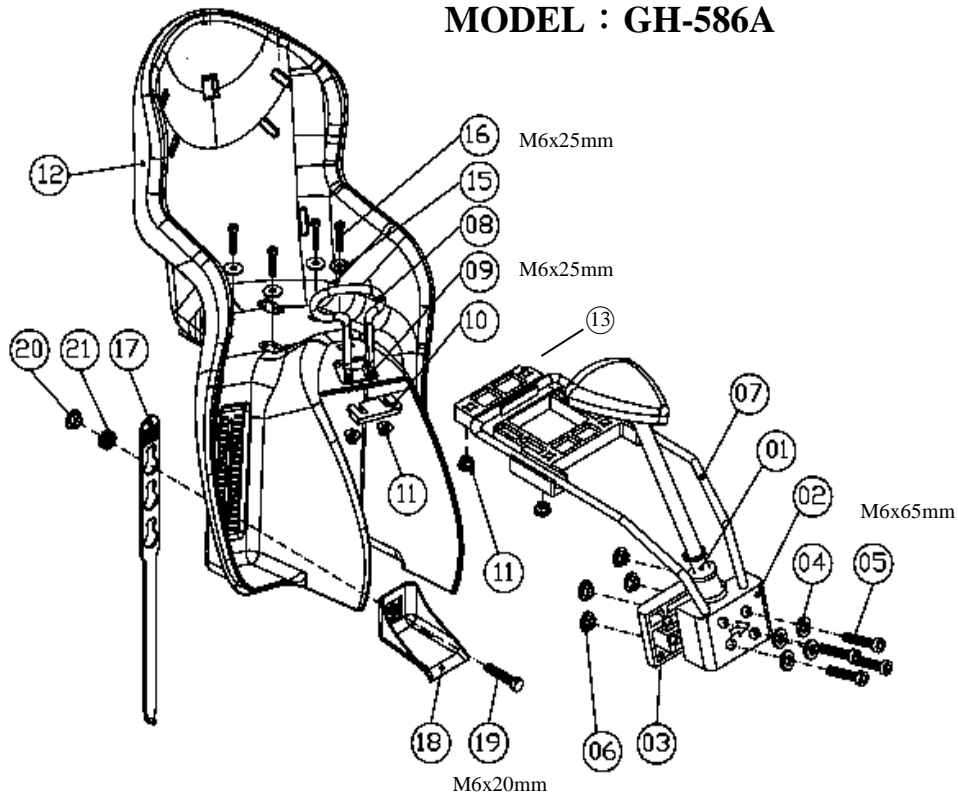
## GENG HUNG CO., LTD.

No, 1-16, Chang ma st., ma shing Tsuen,  
Shiou Suei 504, Changhua, Taiwan.  
Tel:886-4-7511586 Fax:886-4-7613280

**MADE IN TAIWAN**



**MODEL : GH-586A**



<p>Correct adapter(1) fastening. Install fixing clamp (2) and (3) by tightening screws(4) (5) (6). Tool: 5mm Hex-key wrenches.</p>	<p>Insert the ends of the support fork (7) into the holes of the plastic Fixing clamp (2). Put the fixing plate (13) under the support fork (7)</p>
<p>Insert the handgrip (8) into the square hole of the baby carrier (12). Tighten screws (9) (11) together with handgrip fixing slice (10) Tool: 10mm Open-end wrenches.</p>	<p>Ensure the baby carrier (12) is in the right position on the support fork (7) before tightening the screws (14) (15) (16). Tool: Phillips-type screwdrivers.</p>
<p>Make the foot strap (17) go through the footrest side hole (18) Install the footrest on the baby carrier (12). Tighten screws (19) (20) (21).</p>	<p>Adjust the footrests to suit the suit the child's legs by turning the nut (21).</p>
<p>Adjustable seat belt</p>	<p>Keep space on the seat back to attach the reflector LED light for anyone who need it.</p>